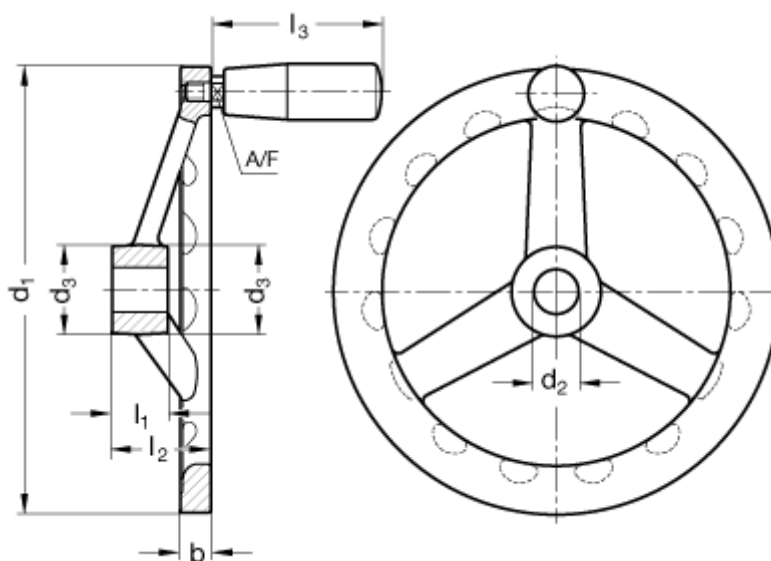


Data Sheet



Article number: 201057280
Description: E+G Handwheel
GN 949-100-B10-D

Measures



| | | | |
|-----------------|--------|------------------|------|
| A/F | = 9 | l_3 | = 45 |
| b | = 7 | Number of spokes | = 3 |
| d_1 | = 100 | | |
| d_2 | = 10 | | |
| d_3 | = 20 | | |
| Handle diameter | = 18 | | |
| l_1 | = 15 | | |
| l_2 | = 27,5 | | |